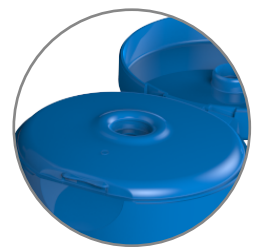
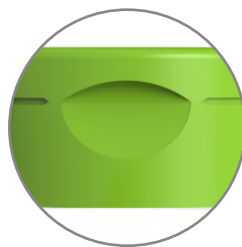
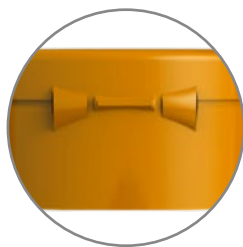
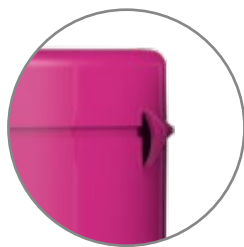
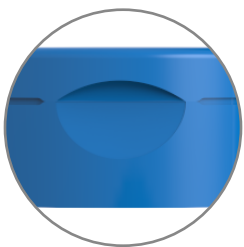




●●●●●● STANDARD PRODUCT

# PE CosmoTop

World's 1<sup>st</sup> innovative PE tube closure



# PE CosmoTop

World's 1<sup>st</sup> innovative PE tube closure



## Design

Iconic design shape

Technically optimized by FE simulation for a robust closure

Elegant matt outer surfaces, glossy inner surfaces

## Diameter D50

Ø 47.8 mm  
Height 22.65 mm  
Weight 7.4 g  
Opening Ø 1, 3, 5 mm

## Convenience

Active-hinge system for convenient product use

Optimal front snap and stable opening forces

## Sustainability

100% mono-material with the PE tube

Lightweight closure, minimal use of material

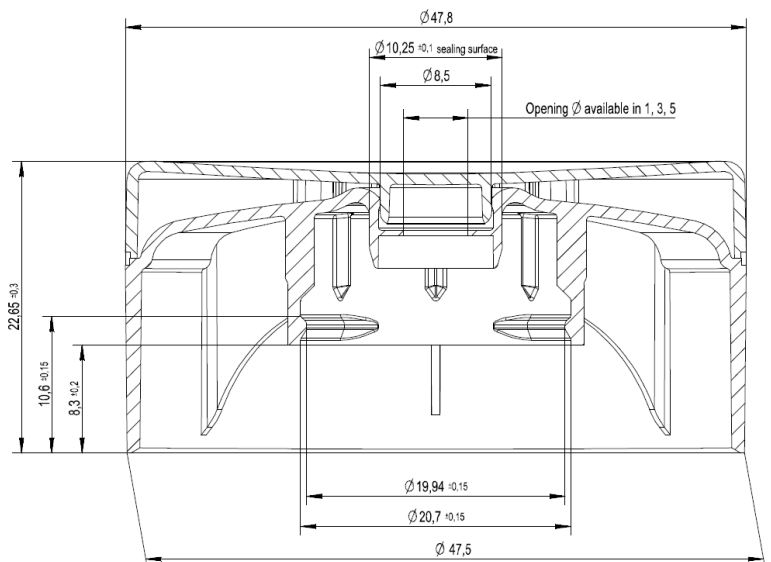
Highest recyclability for a circular economy

## Your material options

- Polyethylene (PE), virgin
- Chemical recycled PE material with ISCC certification
- Biobased PE material with ISCC certification

## Additional and new material option

- ESCR proof material



### Weener Plastics Group

Frankeneng 53  
6716 AA Ede  
The Netherlands

T +431 318 749749  
E [group@wppg.com](mailto:group@wppg.com)  
W [www.wppg.com](http://www.wppg.com)

### Weener Plastik GmbH

Industriestraße 1  
26826 Weener  
Germany

T +49 4951 306 0  
E [info@wppg.de](mailto:info@wppg.de)  
W [www.wppg.de](http://www.wppg.de)